

2/2-Way; G 1/2"-1"; PN 10 bar



Advantages/Benefits

- ▶ Waterhammer-free
- ▶ Low noise
- ▶ Zero differential pressure
- ▶ Compact design with high flow rates
- ▶ Low maintenance
- ▶ Coil can be locked in 4 x 90° positions, or moved freely between, as required
- ▶ Modular solenoid coil system, different sizes and power ratings
- ▶ Easy coil change
- ▶ Wide range of cable plug options Type 2508

Design/Function

The valves are based on a modular concept comprising three basic elements; Valve assembly, push-over coil and standard cable plug. The servo-system with coupled diaphragm/armature assembly and armature guide tube is mounted on the valve body.

The coil is pushed over the armature guide tube and thus isolated from the medium. The medium is only in contact with the valve internals and body.

All valves operate from zero pressure.

A wide selection of pipe and orifice sizes is offered. Valves are available with threaded ports in brass or stainless steel.

To simplify ordering, a wide selection of standard combinations of valve body, push over coil and standard cable plug can be ordered with one item number.

Cable plug options of Type 2508 are available to suit special electrical application requirements.

- The modular concept provides flexibility to meet application requirements.

Applications

Fluids

- Neutral liquids, e.g. water, oils and fat
- Per-solutions, hot oils and oils with additives

Applications

- HEVAC
- Process systems
- Chemical processing
- Water treatment
- General purpose applications
- Sterilizers

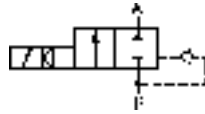
burkert
Easy Fluid Control Systems

Technical Data Type 6213

Circuit function

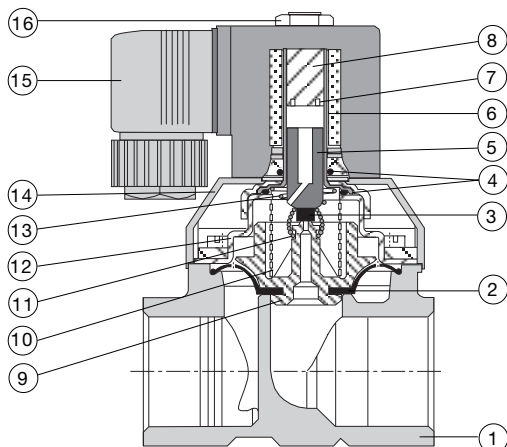
Symbol

A 2/2-way flow valve,
normally closed,
with coupled diaphragm



Operating Data (Valve)		Operating Data (Actuator)	
Pressure range	0-10 bar	Operating voltages	AC 24, 110, 230 V/50 Hz DC 24 V/=
Port connection	G 1/2", 3/4", 1"	Voltages tolerance	±10 %
Seal material	NBR (EPDM and FPM on request)	Power consumption	
Fluid	Neutral liquids e.g. water, oils and fat without additives	Voltage (AC) (32 mm-coil)	Inrush: 34 VA at DN 10 36 VA at DN 13 38 VA at DN 20 Hold: 14 VA/8 W at DN 10/13/20
Medium temperature	-10 ... +90 °C	Voltage (DC) (40 mm-coil)	Inrush and hold: 10 W at DN 10/13/20
Max. ambient temperature	+55 °C	Duty cycle	100% continuously rated
Response times	opening: 50-500 ms closing: 200-1000 ms	Cycling rate	up to 20 c.p.m.
Installation	as required, but preferably with solenoid system upright	Rating with cable plug	IP 65
		Electr. connection	Delivery standard: Cable plug DIN 43 650 A, 0-250 V (other versions see accessories).

Materials



- | | | |
|----|----------------------|--------------------------------|
| 1 | Valve body: | Brass or Stainless Steel |
| 2 | Diaphragm: | NBR |
| 3 | Plunger-seal: | NBR |
| 4 | O-rings: | NBR |
| 5 | Plunger: | 1.4105 |
| 6 | Armature guide tube: | 1.4301 |
| 7 | Shading ring: | Cu (copper) |
| 8 | Stopper: | 1.4105 |
| 9 | Diaphragm support: | PPSGF40 |
| 10 | Spring: | 1.4310 |
| 11 | Tension spring: | 1.4310 |
| 12 | Bonnet: | 1.4301 |
| 13 | Taper spring: | 1.4310 |
| 14 | Bonnet: | Durethan BKV30H |
| 15 | Cable plug: | PA (Polyamide) |
| 16 | Locknut: | 9SMnPb28K (surface
Zn5g1cA) |

Solenoid Valve, waterhammer-free, 0-10 bar

General Purpose

Type 6213

Compact Range

Specifications - Ordering Chart (Other Versions on Request)

0-90 °C medium temperature; seal material NBR; brass body

(with standard-cable plug
0-250 V AC/DC)

Circuit function	Port connection [inch]	Kv-Wert water [m ³ /h]	Orifice [mm]	Pressure [bar]	Seal material	Body material	Weight [kg]	Voltage/frequency [V/Hz]	Item-No.
A	G 1/2	2,0	10	0-10	NBR	Brass	0,40	24/=	126 260 G
			10					24/50	126 261 V
			10					110/50	126 262 W
			10					230/50	126 263 X
	G 3/4	3,6	13	0-10	NBR	Brass	0,55	24/=	126 272 Y
			13					24/50	126 273 Z
			13					110/50	126 274 S
			13					230/50	126 275 T
	G 1	9,0	20	0-10	NBR	Brass	1,00	24/=	126 288 Z
			20					24/50	126 289 S
			20					110/50	126 290 X
			20					230/50	126 291 L

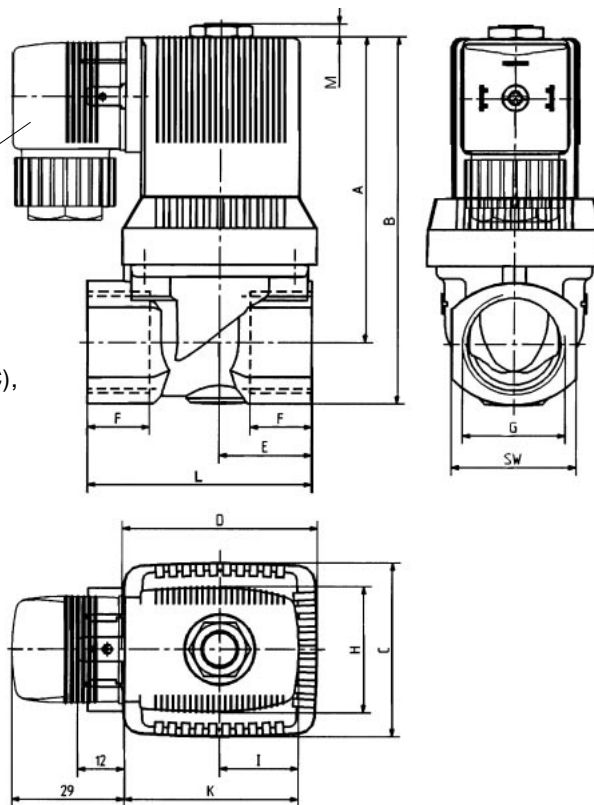
0-90 °C medium temperature; seal material NBR; Stainless Steel body (SS)

(with standard-cable plug
0-250 V AC/DC)

Circuit function	Port connection [inch]	Kv-Wert water [m ³ /h]	Orifice [mm]	Pressure [bar]	Seal material	Body material	Weight [kg]	Voltage/frequency [V/Hz]	Item-No.
A	G 1/2	2,0	10	0-10	NBR	SS	0,40	24/=	141 183 P
			10					24/50	141 184 Q
			10					110/50	141 185 R
			10					230/50	141 186 J
	G 3/4	3,6	13	0-10	NBR	SS	0,55	24/=	141 211 S
			13					24/50	141 212 T
			13					110/50	141 213 U
			13					230/50	141 214 V
	G 1	9,0	20	0-10	NBR	SS	1,10	24/=	141 235 S
			20					24/50	141 236 T
			20					110/50	141 237 U
			20					230/50	141 238 D

Dimensions [mm]

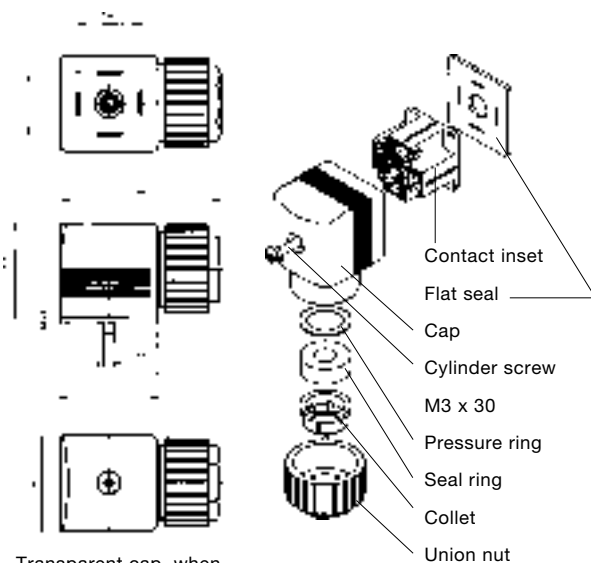
Cable plug DIN 43650, form A, (0-250 V AC/DC), delivery standard



Standard versions

Threaded port [inch]	Orifice [mm]	Voltage	A [mm]	B [mm]	H [mm]	I [mm]	K [mm]	C [mm]	D [mm]	E ¹ [mm] (Brass)	E ² [mm] (S. St.)	F [mm]	L ¹ [mm] (Brass)	L ² [mm] (S. St.)	SW [mm]	M [mm]
G 1/2	10.0	AC	68.0	82.0	32.0	20.5	45.0	37.5	38.0	20.0	25.0	14.0	50.0	55.0	27.0	3.5
G 3/4	13.0		79.5	95.5	32.0	20.5	45.0	45.0	50.5	24.0	31.0	16.0	58.0	65.0	32.0	3.5
G 1	20.0		95.0	115.5	32.0	20.5	45.0	66.0	66.0	35.0	50.0	18.0	80.0	100.0	41.0	3.5
G 1/2	10.0	DC	68.5	82.5	40.0	23.5	51.0	37.5	38.0	20.0	25.0	14.0	50.0	55.0	27.0	3.5
G 3/4	13.0		80.0	96.0	40.0	23.5	51.0	45.0	50.5	24.0	31.0	16.0	58.0	65.0	32.0	3.5
G 1	20.0		95.5	116.0	40.0	23.5	51.0	66.0	66.0	35.0	50.0	18.0	80.0	100.0	41.0	3.5

Dimensions Accessories [mm]



Transparent cap, when wired with LED.

Ordering Chart for Accessories

Device/Accessory	Features	Item-No.
Cable-plugs¹⁾ Type 2508	Standard cable plug, 0-250 V AC/DC (standard-delivery) ¹⁾	008 376 N
	with LED, 12-24 V AC/DC	008 360 S
	with LED, 100-120 V AC/DC	008 361 P
	with LED + varistor, 12-24 V AC/DC	008 367 M
	with LED + varistor, 100-120 V AC/DC	008 368 W
	with LED + varistor, 200-240 V AC/DC	008 369 X
	(optional wirings and connection specifications see data sheet Type 2508)	

¹⁾ The standard cable plug (0-250 V AC/DC), Order-No. 008 376 N is part of the standard delivery. Ordering of optional cable plugs with separate ordering number.

A wide selection of further cable plugs is available (see special data sheet Type 2508)